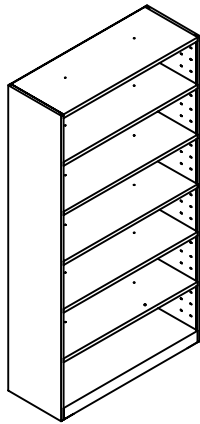
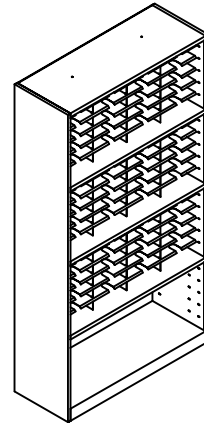


Kwik-File, LLC



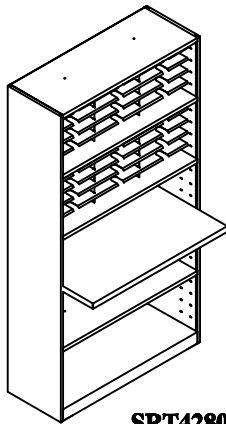
SRT4280A

INSTRUCTIONS FOR:
SRT4280A CONSIST OF:
SRT4280 ON PAGES 2 THRU 5 AND
SRTAPG ON PAGES 6 AND 7



SRT4280B

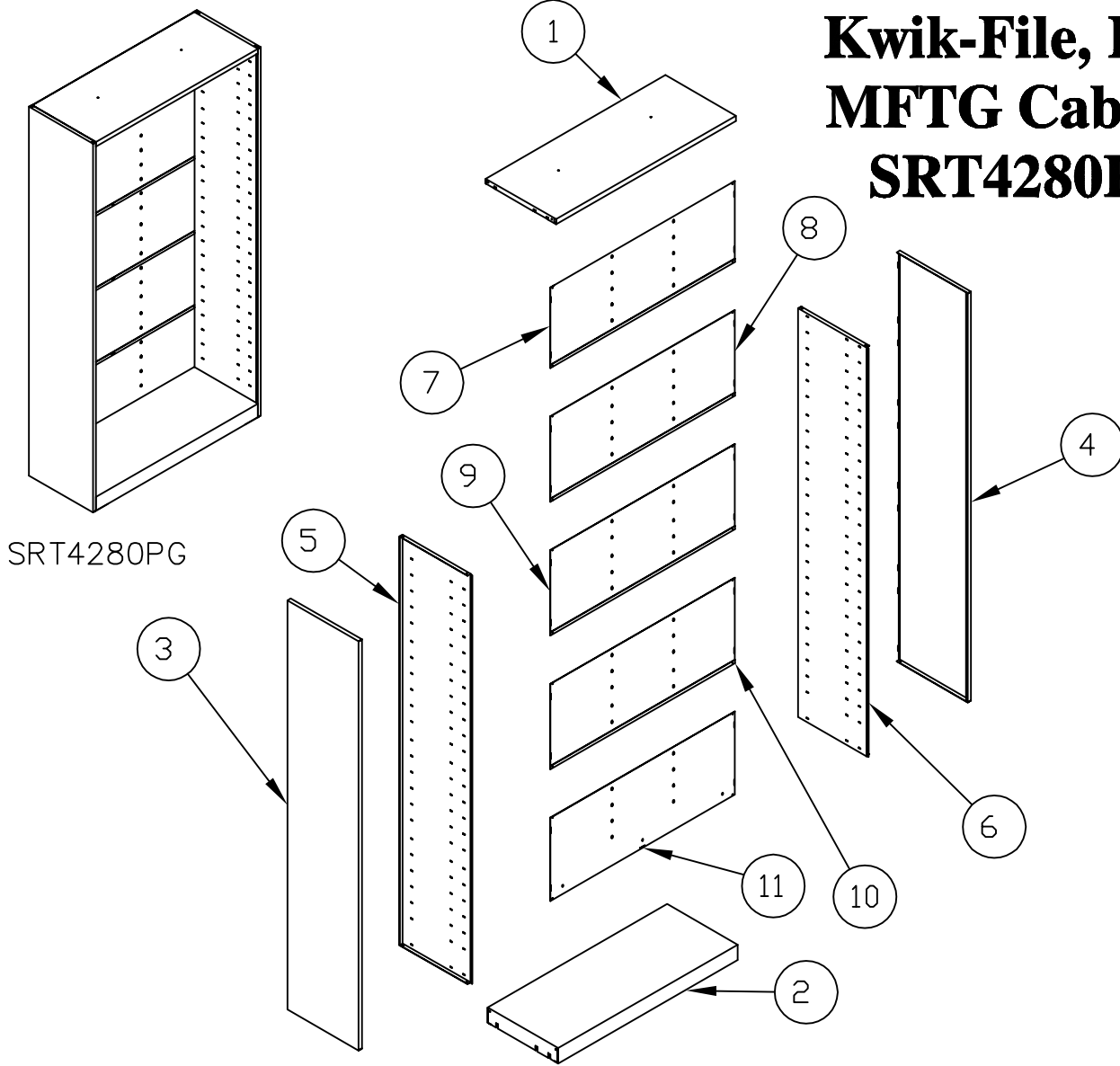
INSTRUCTIONS FOR:
SRT4280B CONSIST OF:
SRT4280 ON PAGES 2 THRU 5 AND
SRTBPG ON PAGES 8 AND 9



SRT4280C

INSTRUCTIONS FOR:
SRT4280C CONSIST OF:
SRT4280 ON PAGES 2 THRU 5 AND
SRTCPG ON PAGES 10 THRU 12

Kwik-File, LLC MFTG Cabinet SRT4280PG



SRT4280PG

NO.	QTY.	PART NO.	DESCRIPTION
1	1	713105R	SHELF
2	1	715505R	FRAME, BASE
3	1	713405R	END PANEL, 80" LH
4	1	713305R	END PANEL, 80" RH
5	1	713605R	END PANEL INSERT, 80" LH
6	1	713505R	END PANEL INSERT, 80" RH
7	1	713805R	BACKPANEL, TOP
8	1	713905R	BACKPANEL, MIDDLE 1
9	1	714005R	BACKPANEL, MIDDLE 2
10	1	714105R	BACKPANEL, MIDDLE 3
11	1	714205R	BACKPANEL, BOTTOM

4280A/B/C INSTALLATION KIT (707500PR)

Kit will include the following:



ITEM #1 PLASTIC RIVET, 4 PRONG NY66

CONF. "A" USES (3)

CONF. "B" USES (3)

CONF. "C" USES (3)

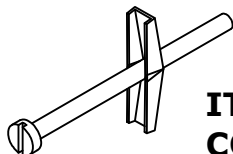


ITEM #2 DOOR GLIDE PLASTIC

CONF. "A" USES (0)

CONF. "B" USES (18)

CONF. "C" USES (8)



ITEM #3 10-24 X 3 TOGGLE BOLT

CONF. "A" USES (2)

CONF. "B" USES (2)

CONF. "C" USES (2)

**NOTE: THERE IS EXTRA HARDWARE
INCLUDED IN THE HARDWARE BAG,
OF ITEMS #1 AND #2**

1 – KIT ASSEMBLY PARTS

707500PR

PLASTIC RIVET, 4 PRONG NY66 (ITEM #1) 5 PCS

DOOR GLIDE PLASTIC (ITEM #2) 20 PCS

10-24 X 3 TOGGLE BOLT (ITEM #3) 2 PCS

NOTE: IF YOU ARE IN NEED OF ANY OF THESE COMPONENTS
YOU WILL NEED TO REQUEST THE COMPLETE KIT (707500PR)

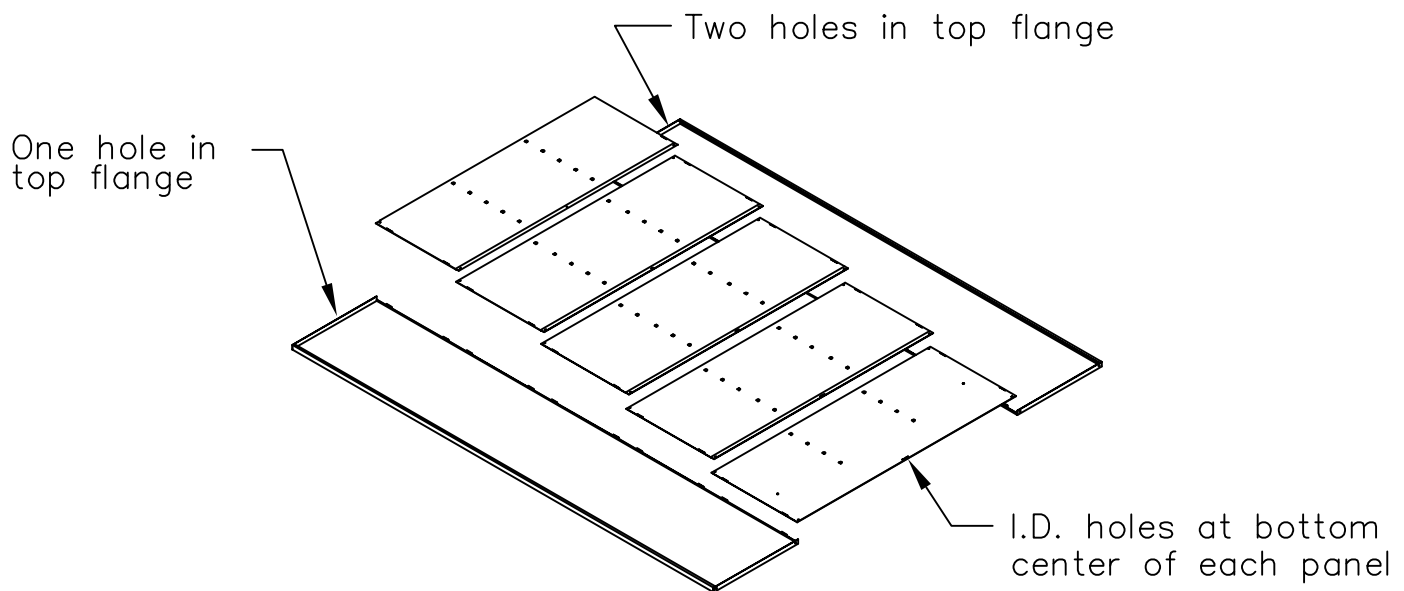
1 – INSTRUCTIONS—TALL SORTER SRT4280A/B/C

I910384R

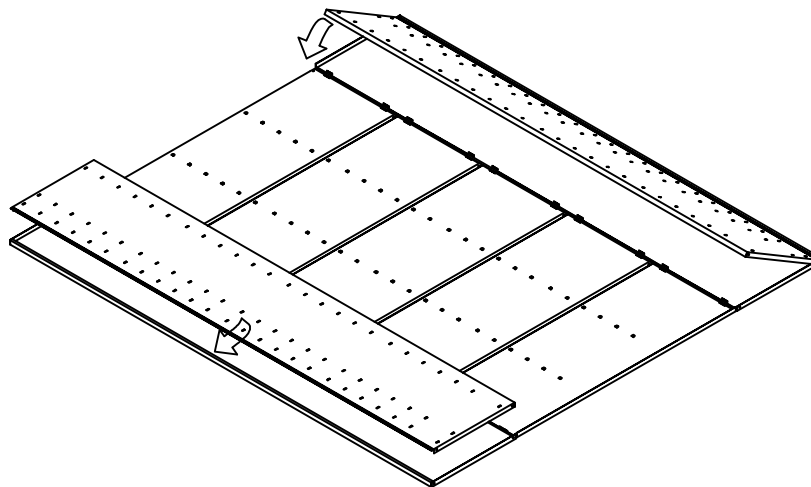
1. Tools required: A colored marker, small thin flat bladed screw driver, a needle nose plier, a hammer and maybe a step ladder. Unpack cartons and identify all parts. Note that the end panels and the inserts are packaged together, they must be separated. Peel off protective film from face side of all flat steel parts.

2. Position the right hand end panel (indicated with two .187 holes .50 apart on top flange) loop side up, and the back panels (tab side up) as shown on a clean, flat, smooth surface. Note: back panels have 3/32 diameter identification holes at the center bottom of each panel. Top back panel has one hole, second has two, third has three, fourth has four and the bottom one has five holes.

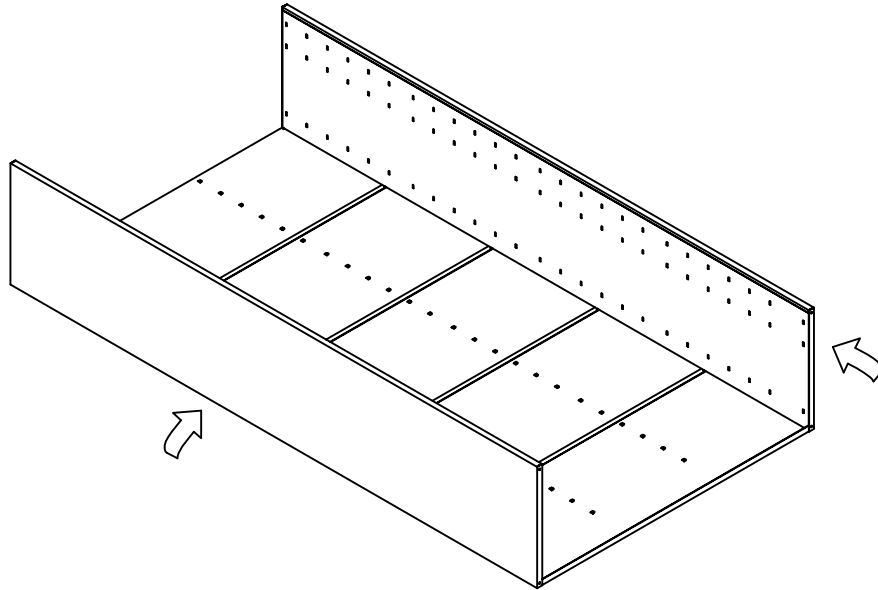
3. Lift up one side of the bottom back panel and insert tabs through the lower slots in the adjacent end panel. Repeat till all five backpanels have been placed. Then do the same with the left side end panel (indicated with one .187 hole on the top flange). The lower edge of each back panel will slightly overlap the upper edge of the next back panel.



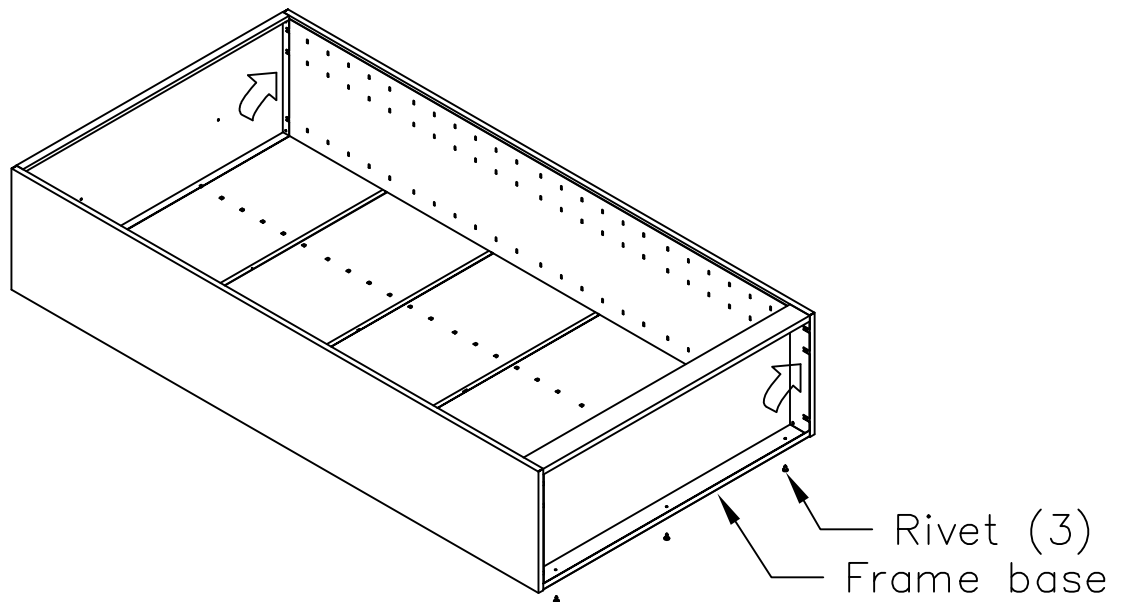
4. Place each of the end panel inserts inside the outside end panels, loop side up; the offset lip fits under the flange on the outer edge of the outside end panel. Note: the right hand insert has two 3/16 diameter holes in the top flange and the left hand insert has one 3/16 diameter holes in the top flange.



5. With the assistance of another person, each lifting from an end panel, swing the end panels up 90 degrees from the backpanels.



7. Before setting the unit upright the frame base should be positioned with the long tabs through the loops in the end panel inserts. After they are seated into the loops the tabs should be bent over to keep the bottom in place. The top may be placed in position at this time by placing the top over the row of tabs in the back panel and then into the loops in the end panel inserts, when building Configuration B and C the top can be added a a later time. The unit may now be set upright. After setting the unit upright install three rivets in the lower end of the bottom back panel and tap rivets in place. The units should be placed into the desired location prior to installing interior components.

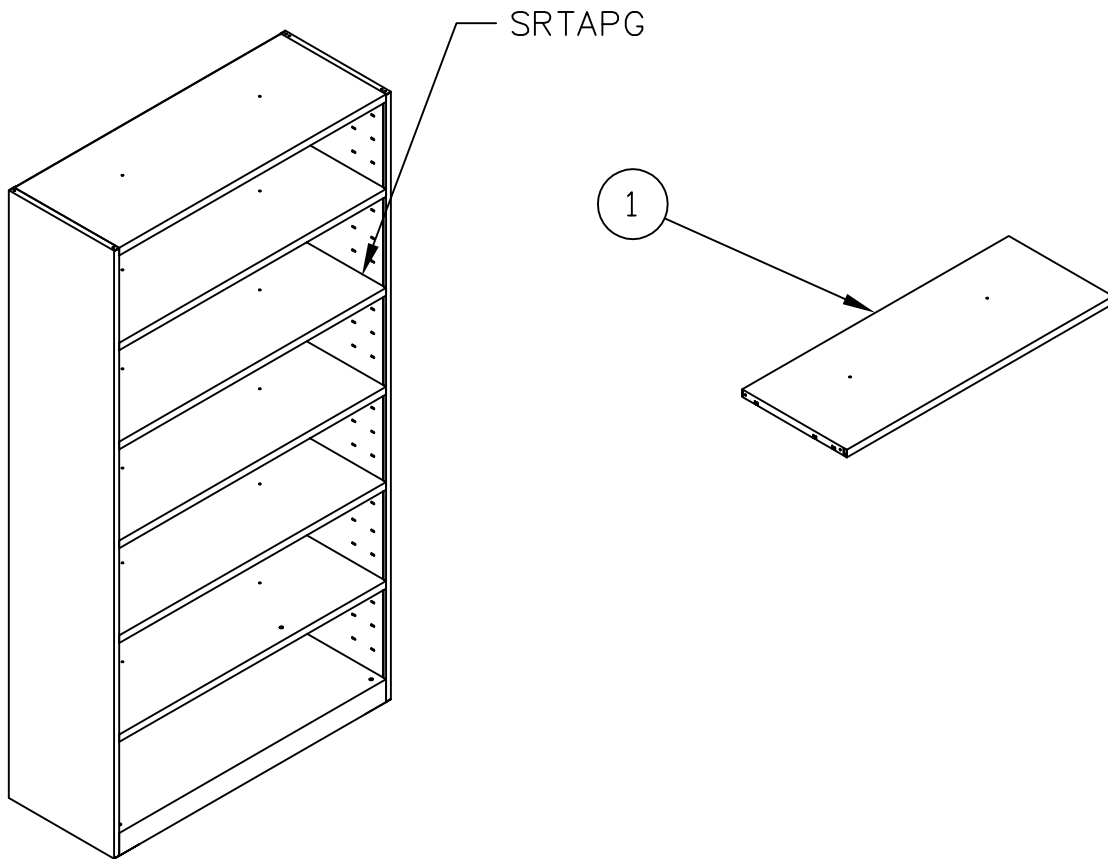


Kwik-File, LLC

Interior-Configuration A

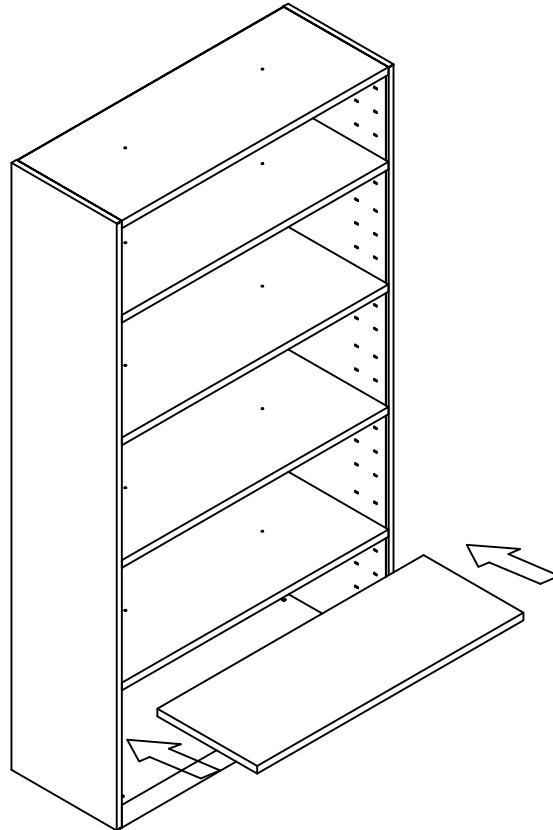
SRTAPG

SRT4280PG WITH CONF A
INTERIOR



NO.	QTY.	PART NO.	DESCRIPTION
1	5	713105R	SHELF

8. Install all five shelves by positioning the shelf so its tabs (on side flanges only) lock into the row of loops in the end panel inserts and so the back flange is held by the tabs on the back panel. Shelves may be placed wherever they are needed. Note; it is helpful to have two people when installing interior components in this cabinet. The backpanels should be pressed inward so the rear lips on the shelves will attach easier.



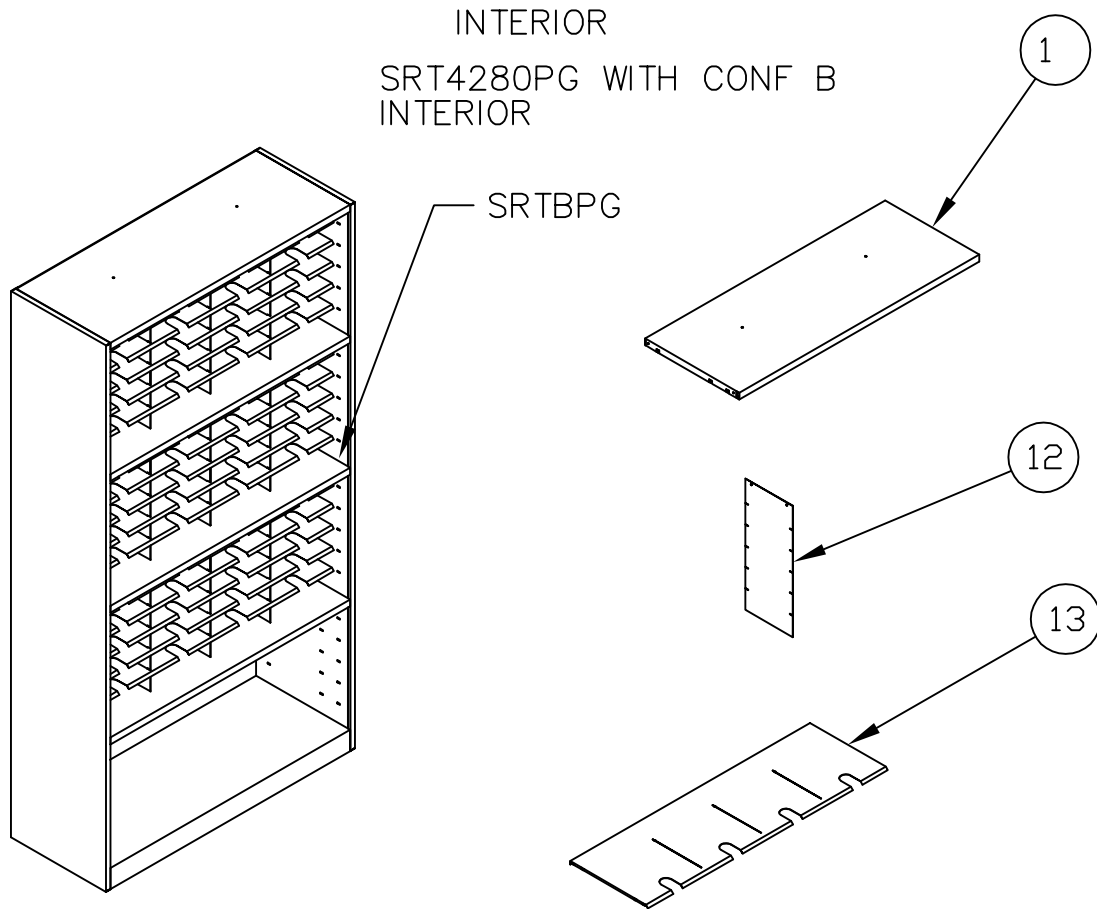
HELPFUL HINT: USE A SMALL FLAT SCREW DRIVER TO PRY THE INSERT PANELS TOWARDS CENTER OF CABINET SO TABS WILL LOCK IN EASIER.

NOTE: THERE ARE TWO .218 DIAMETER HOLES AT THE TOP OF THE REAR OF UNIT. THESE HOLES MAY BE USED TO ATTACH TO WALL USING TOGGLE BOLTS PROVIDED. THIS IS USUALLY ONLY NECESSARY WITH CONFIGURATION "C" (SRTC PG) BUT SHOULD BE USED IN ANY APPLICATION WHERE UNIT MIGHT BE TIPPY.

Kwik-File, LLC

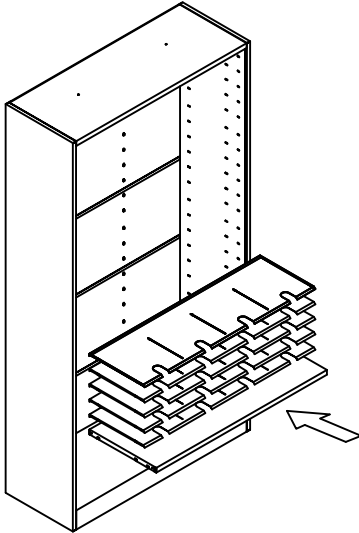
Interior-Configuration B

SRTBPG



NO.	QTY.	PART NO.	DESCRIPTION
1	3	713105R	SHELF
12	9	715405R	DIVIDER, 5 SHELF
13	15	714905R	SHELF, 4 PLACE

8. After placing unit upright start installing shelves. To install shelves, begin with the lowest shelf (1" front flange). Lowest shelf for SRTBPG will use the 18th tab down from the top not including the top row of tabs that are used for the top shelf, (it is helpful to use a marker to mark a tab on each side). Position the shelf so its tabs (on the side flanges only) lock into the corresponding row of loops on the end panel inserts and so its back flange is held by the tabs on the backpanel. After installing this shelf, do the same with the five shelves with slots in them.



HELPFUL HINT: USE A SMALL FLAT SCREW DRIVER TO PRY THE INSERT PANELS TOWARDS CENTER OF CABINET SO TABS WILL LOCK IN EASIER.

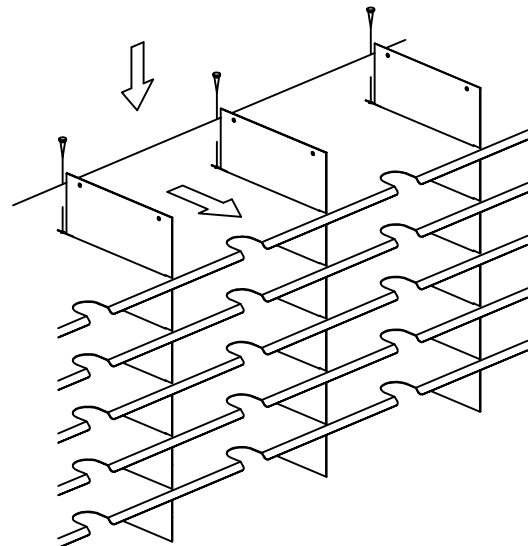
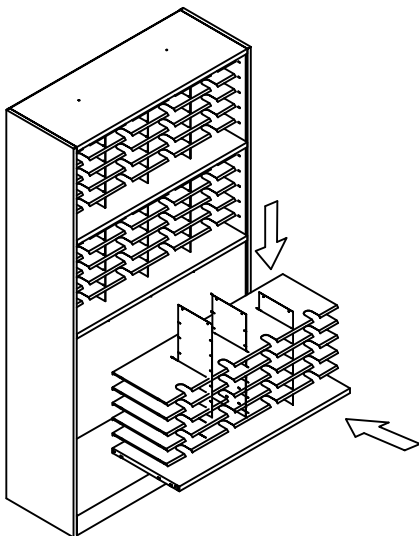
NOTE: THERE ARE TWO .218 DIAMETER HOLES AT THE TOP OF THE REAR OF UNIT. THESE HOLES MAY BE USED TO ATTACH TO WALL USING TOGGLE BOLTS PROVIDED. THIS IS USUALLY ONLY NECESSARY WITH CONFIGURATION "C" (SRTCPCG) BUT SHOULD BE USED IN ANY APPLICATION WHERE UNIT MIGHT BE TIPPY.

9. To install dividers, insert a divider through each slot. Dividers slide down through slots in all shelves until they rest on the bottom shelf. Note: the end of each divider with the two holes should be facing up.

10. When all the dividers are in place, pull each one forward to lock into position. Insert the plastic buttons into the holes behind the dividers on the top and bottom shelves with divider slots.

11. You can now add the other two shelf assemblies the same as the lower assembly.

12. Position the top shelf (1" front flange and no divider slots) over the top row of tabs on the back panel and with its tabs through the loops on the end panel insert, and set it carefully in place.

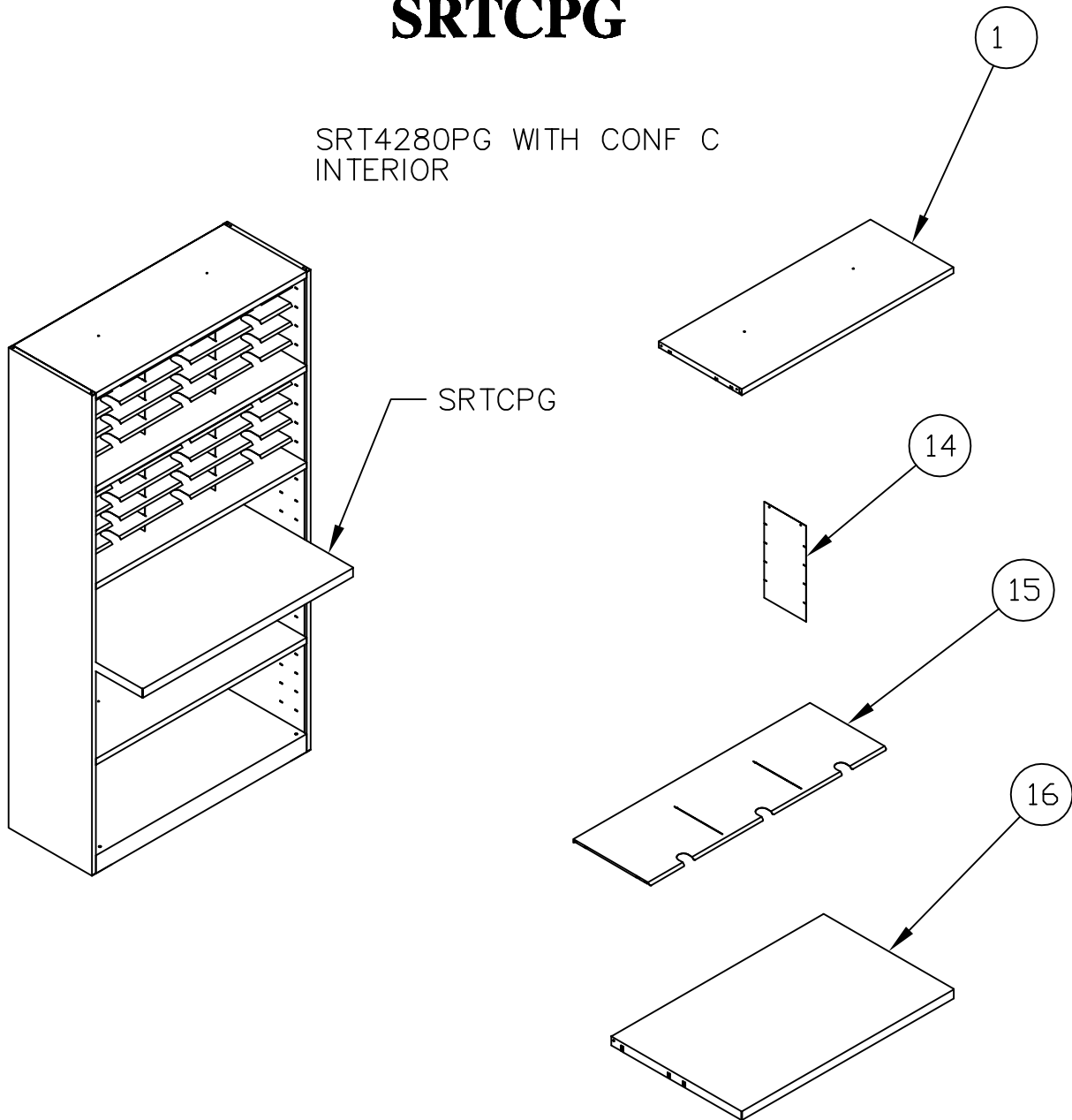


Kwik-File, LLC

Interior-Configuration C

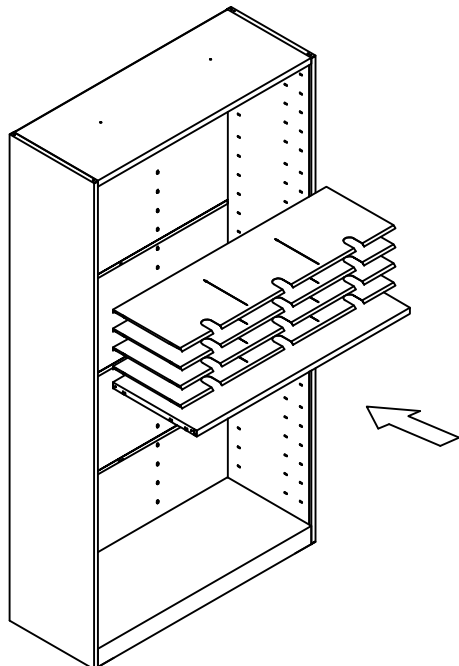
SRTCPCG

SRT4280PG WITH CONF C
INTERIOR



NO.	QTY.	PART NO.	DESCRIPTION
1	3	713105R	SHELF
14	4	714305R	DIVIDER, 4 SHELF
15	8	713005R	SHELF, 3 PLACE
16	1	713205R	REFERENCE SHELF

8. After placing unit upright start installing shelves. To install shelves, begin with the lowest shelf (1" front flange). Lowest shelf for SRTCPG will use the 10th tab down from the top not including the top row of tabs that are used for the top shelf (it is helpful to use a marker to mark a tab on each side). Position the shelf so its tabs (on the side flanges only) lock into the corresponding row of loops on the end panel inserts and so its back flange is held by the tabs on the backpanel. After installing this shelf, do the same with the four shelves with slots in them.



HELPFUL HINT: USE A SMALL FLAT SCREW DRIVER TO PRY THE INSERT PANELS TOWARDS CENTER OF CABINET SO TABS WILL LOCK IN EASIER.

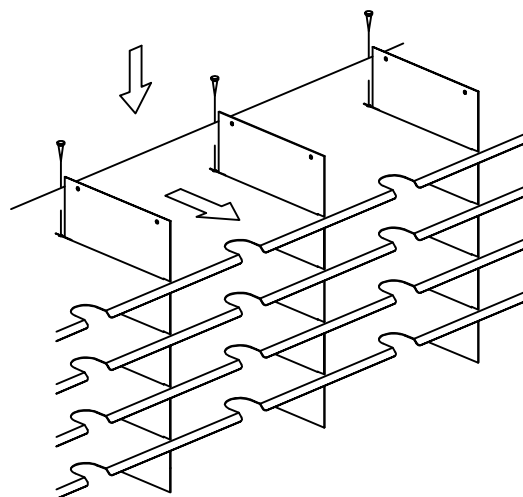
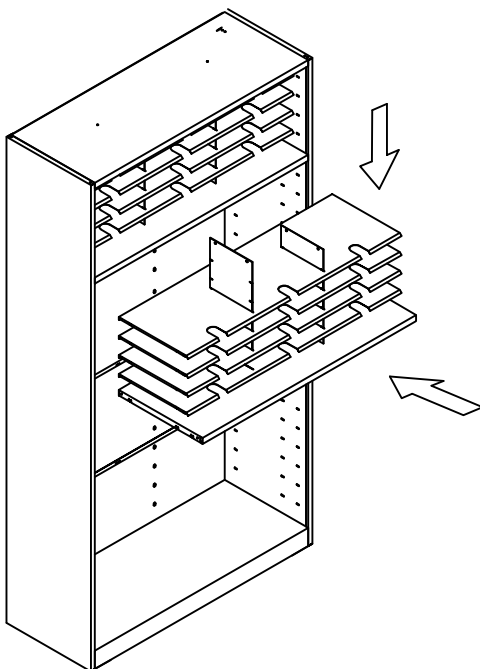
NOTE: THERE ARE TWO .218 DIAMETER HOLES AT THE TOP OF THE REAR OF UNIT. THESE HOLES MAY BE USED TO ATTACH TO WALL USING TOGGLE BOLTS PROVIDED. THIS IS USUALLY ONLY NECESSARY WITH CONFIGURATION "C" (SRTCPG) BUT SHOULD BE USED IN ANY APPLICATION WHERE UNIT MIGHT BE TIPPY.

9. To install dividers, insert a divider through each slot. Dividers slide down through slots in all shelves until they rest on the bottom shelf. Note: the end of each divider with the two holes should be facing up.

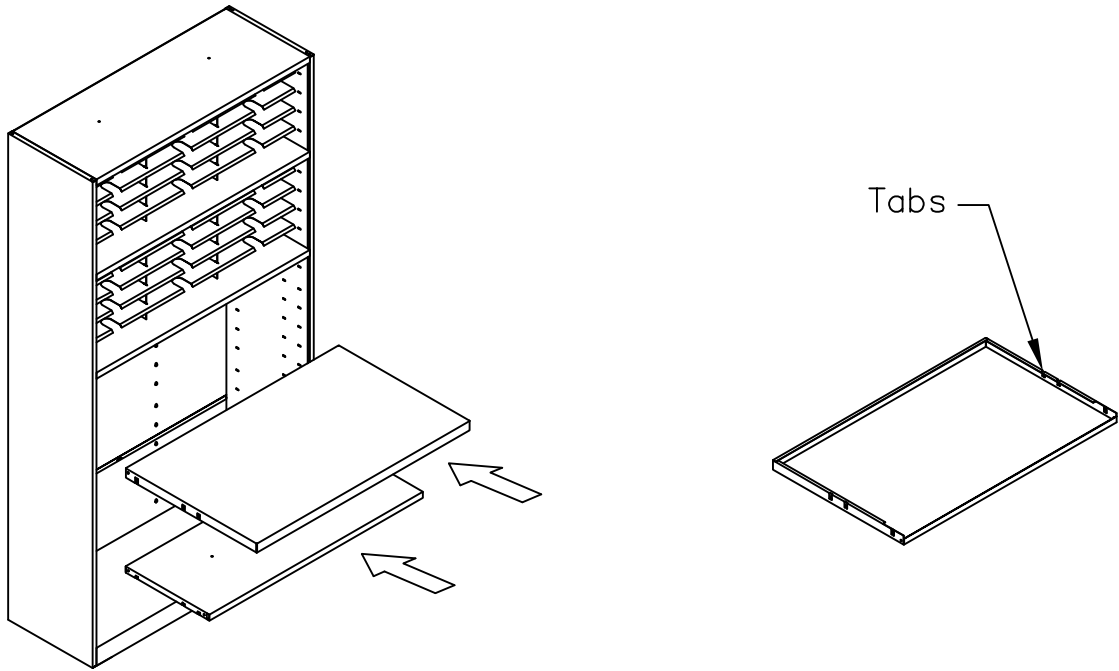
10. When all the dividers are in place, pull each one forward to lock into position. Insert the plastic buttons into the holes behind the dividers on the top and bottom shelves with divider slots.

11. You can now add the other shelf assembly the same as the lower assembly.

12. Position the top shelf (1" front flange and no divider slots) over the top row of tabs on the back panel and with its tabs through the loops on the end panel insert, and set it carefully in place.



13. Installation of the reference shelf is similar to installing any other shelf except there are three tabs on each side. The shelf gets installed in the tabs that are 14 down from the top, not including the top row that is used for the top. Once the shelf has been placed onto the tabs you must go under the shelf and bend the tabs over to prevent the shelf from coming out. This may require a screw driver to bend the tab and a needle nose pliers to bend tab over.



14. Lower shelf is installed the same as all others.